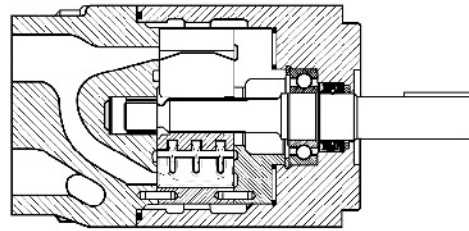
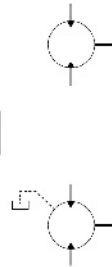


M4 系列马达

M4 SERIES MOTOR



液压符号
Hydraulic Sign



型号说明

MODEL CODE

M4C	(-1)	(-S)	067	1	N	00	A	1	02
系列号 Series	类别型号 Type code	类别型号 Type code	排量代号 Flow code	轴伸形式 Shaft type	旋转方向 Rotation	油口位置 Port positions	设计号 Design number	密封等级 Sealing level	油口尺寸 Port dimensions
M4C M4C1 M4SC M4SC1	无: 外泄 No: External	无: 标准 No: standard	024、027、 031、043、 055、067 075	见轴伸尺寸 See size of the shaft	双向 (注:顺时针 =进油口A, 逆时针=进油 口B)	见下图 See picture below	A	M4: 1-丁腈橡胶 5-氟橡胶	01、02、04、M4 见安装连接尺寸 See installation dimensions
M4D M4D1 M4SD M4SD1	1: 内泄 1: Internal	S: 重载 S: heavy load	062、074、 088、102、 113、128、 138		Bi-directional (Note:cloc- kwise=inlet A,counter- clockwise= inlet B)			M4: 1-NBR Nitrile rubber 5-Fluororubber	
M4E M4E1 M4SE M4SE1			153、185、 214、					M4S: 5-氟橡胶 M4S: 5-Fluororubber	

轴伸 Shaft extension

型号 Model	轴伸代号 Shaft code	轴伸形式 Shaft type	L1	L2	DIA	K1xK2	H1
M4C	1	平键Keyed: SAE-B (Φ22.2)	71.4	38.1	22.225-22.200	6.35 x 6.30	29.94
	2	平键Keyed: 非NonSAE (Φ22.2)	58.7	31.7	22.225-22.200	4.77 x 4.72	24.50
	3	花键Splined: SAE-B	41.4	24.5	SAE J498b 1级, 径节16/32, 13牙 SAE J498b class 1, Diametral pitch 16/32, 13T		
M4D	1	平键Keyed: SAE-C (Φ31.7)	55.6	38.1	31.750-31.700	7.94x7.89	35.28
	3	花键Splined: SAE-C	55.6	38.1	SAE J498b 1级, 径节12/24, 14牙 SAE J498b class 1, Diametral pitch 12/24, 14T		
M4E	1	平键Keyed: SAE-C (Φ31.7)	84.1	49.3	31.750-31.700	7.94x7.89	35.29
	3	花键Splined: SAE-C	55.7	25.2	SAE J498b 1级, 径节12/24, 14牙 SAE J498b class 1, Diametral pitch 12/24, 14T		

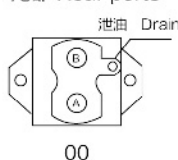
油口位置

PORTING COMBINATION

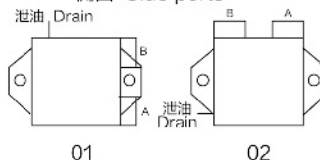
从泵的轴端看:
顺时针旋转 A=进油口
B=出油口
逆时针旋转 A=进油口
B=出油口

View from shaft end:
CW rotation A=inlet
B=outlet
CCW rotation A=outlet
B=inlet

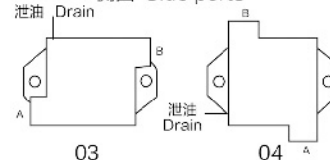
尾部 Rear ports



侧面 Side ports

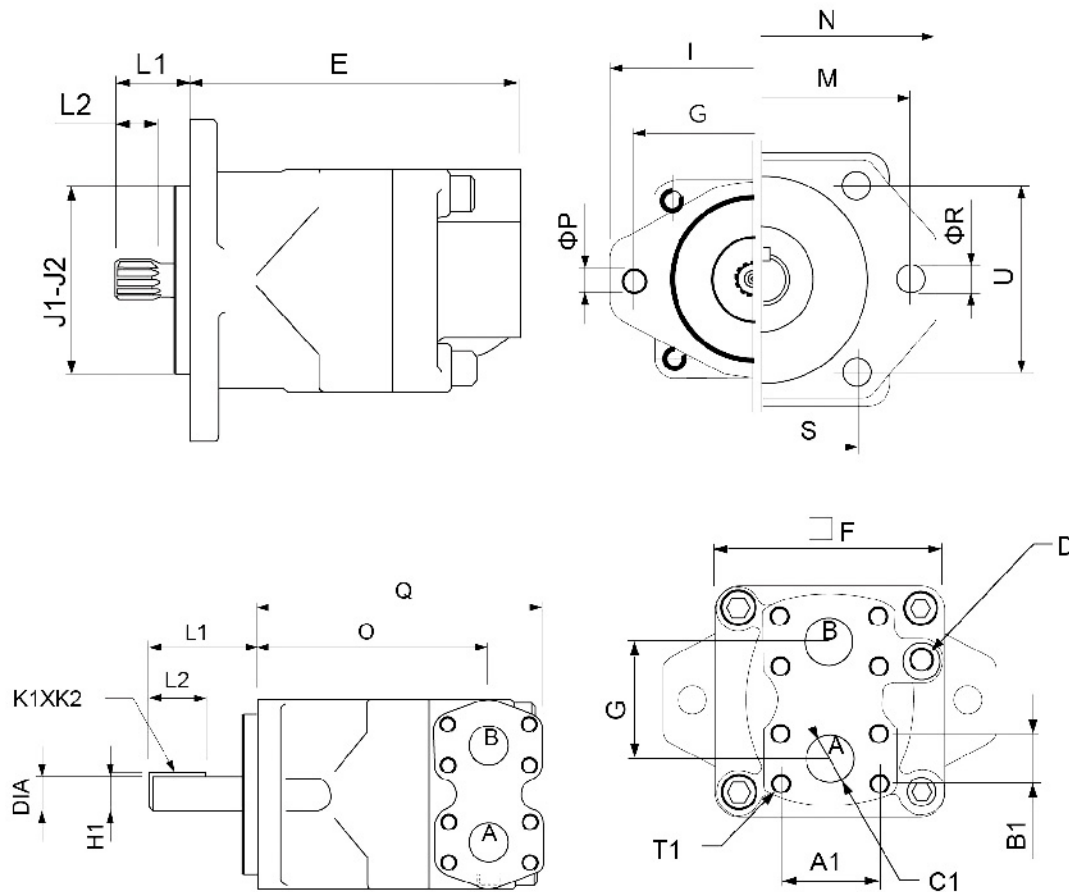


侧面 Side ports



安装连接尺寸

INSTALLATION DIMENSIONS



	M4C
E	179.3
F	120.7
G	146.0
H	62.0
I	176.0
J1	101.60
J2	101.55
O	148.0
ΦP	14.2
Q	182.9

	M4D
E	198.4
F	155.5
H	85.9
J1	127.00
J2	126.95
M	181.0
N	212.3
ΦR	17.5
S	114.5
U	114.5

	M4E
E	267.5
F	187.5
H	99.2
J1	127.00
J2	126.95
M	181.0
N	212.9
ΦR	17.5
S	114.5
U	114.5

油口/Oil port	安装尺寸/Install Dimension(mm)					
	A&B					泄油口Drain port D
	SAE 4 孔法兰 (油口代号:02, 04, M4) SAE 4 Hole flange (Oil port code:02,04, M4)				SAE螺纹油口(代号:01) SAE Threaded port (Code:01)	
	A1	B1	C1	T1口螺纹Thread		
M4C/M4SC	52.4	26.2	25.4	SAE: $\frac{3}{8}$ " 16 UNCx19.0 公制Metric: M10x20.0	$1 \frac{5}{16}$ " UNFx19.0	SAE: $\frac{7}{16}$ " 20UNF BSPP: $\frac{1}{4}$ "
M4D/M4SD	58.7	30.2	31.8	SAE: $\frac{7}{16}$ " 14 UNCx22.0 公制Metric: M12x22.1	$1 \frac{5}{8}$ " UNFx19.0	SAE: $\frac{3}{4}$ " 16UNF BSPP: $\frac{3}{8}$ "
M4E/M4SE	77.8	42.9	50.0	$\frac{1}{2}$ " 13 UNCx26.9	$2 \frac{1}{2}$ " 12UNFx19.0	SAE: $\frac{3}{4}$ " 16UNF BSPP: $\frac{1}{2}$ "